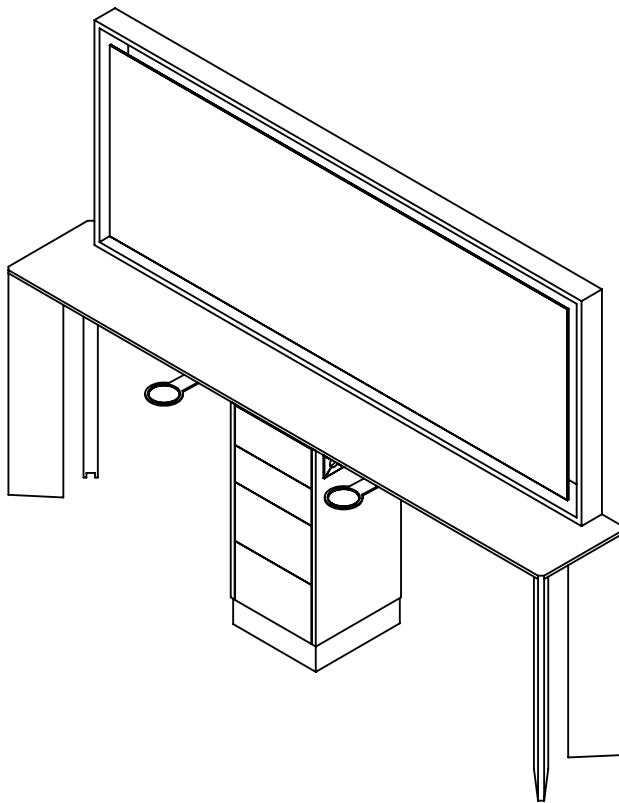


THEMIS series

ALVIS DIO

Operation/Installation Manual



● **ALVIS DIO
H1760**

Contents

General Safety Instructions	2
Preparation Before Installation	3
Parts Lists/Accessory Parts	4
Installation Procedure	5
How to use	7
Care and Maintenance	7
Specification Drawings	8

Thank you for purchasing our product.

Please read through this manual carefully before installing or using.






After reading, keep this operation manual in a safe place for your future reference.









General Safety Instructions

■ Before use






Please read through the "General Safety Instructions" to ensure you use this product correctly. This instruction manual contains important information to help avoid personal injury, or property damages to you or your customers. All instructions are important for safe operation. Please be sure to observe them.

■ Definition of markings

 WARNING	This mark warns the user that "improper use may cause death or severe personal injury".
 CAUTION	This mark warns the user that "improper use may cause personal injury or material damages".
	This mark indicates that the user need to be ALERT to a possible danger.
	This mark indicates what the user MUST DO to prevent accidents.
	This mark indicates what the user SHOULD NOT DO .

 WARNING	
	Do NOT attempt to repair the unit by yourself. Do not attempt to disassemble or repair the equipment on your own. To do so might cause break down or collapse accident. Please contact us for repair or servicing instruction.
	Do NOT apply water to the equipment. The equipment is not waterproofed. Wetting may cause a fire, electric shock, or insulation failure.
	Do NOT alter or modify the equipment. This may cause electric shock, falling, burnout damage, or discoloration.
	Be alert to the corner of the mirror portion. Be alert to the corner of the mirror so as not to hit it. If hit, you may get injured.
	Follow the instructions of the installation manual when connecting to the power supply. Improper connection may cause breakdown.
	Perform Class D grounding (previous Class 3 grounding) with the ground terminal (wire), if attached. Improper grounding may cause electric shock or insulation failure.
	Follow the directions of caution labels. If a caution label is attached to the equipment, follow the directions of the label. Failure to follow the directions may cause a fire, electric shock, falling, injury or breakdown.

CAUTION

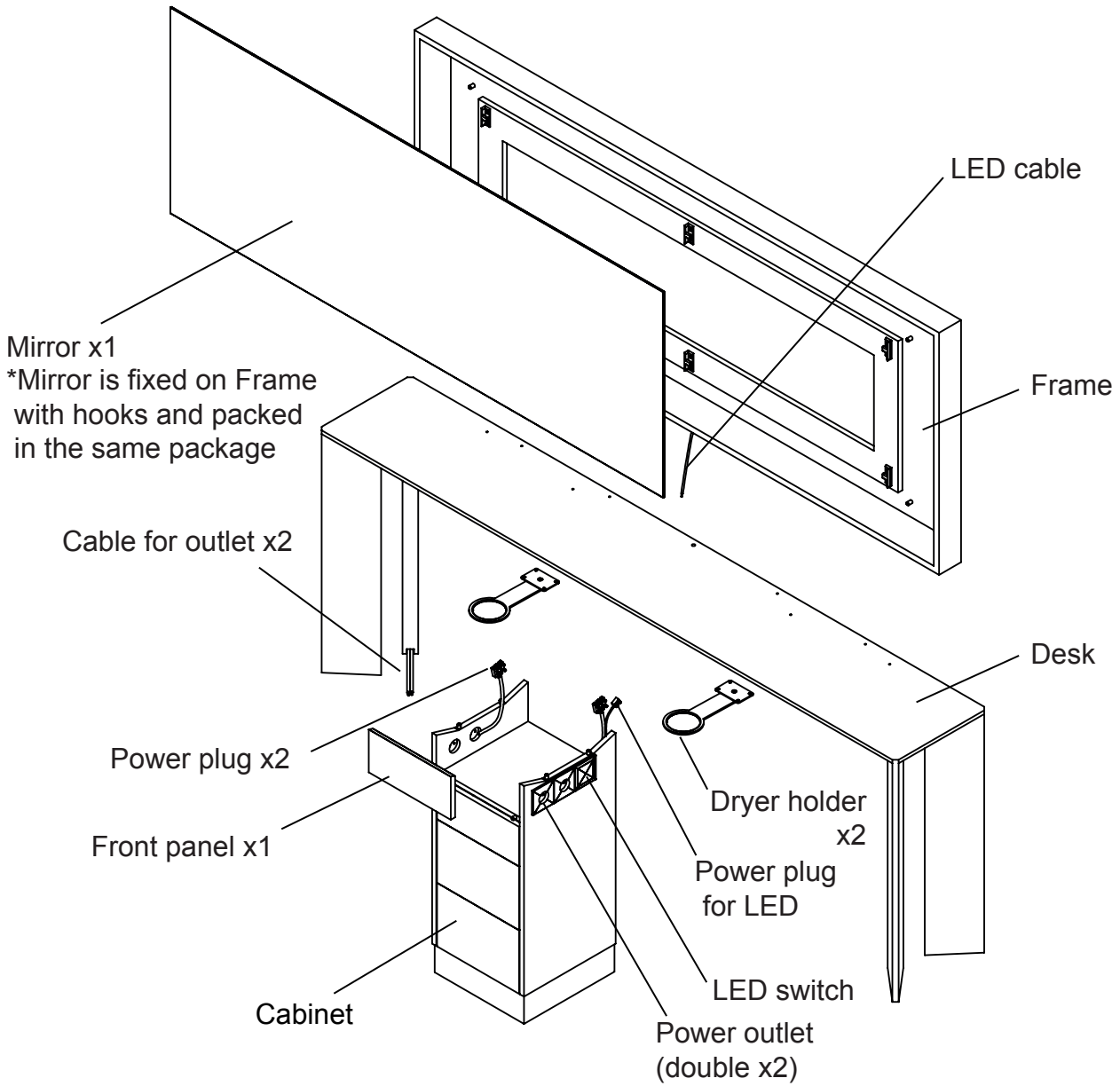
 Remove chemical immediately after attached. If chemical such as hair dye, comes in contact with the equipment, wipe it off immediately. This may cause discoloration or deterioration.	 Do NOT use the equipment outdoors. This equipment is neither design for nor approved for outside installation. If installed outdoors, there may be a danger of a fire, electric shock, or failure.
 Do NOT apply weight or Do NOT hit a thing on the equipment. Avoid leaning on the mirror, hard wiping of the mirror when cleaning. Do not hit a drier etc. to the equipment. This may cause deformation, breakage or falling accident of the product.	 Use this equipment at an ambient temperature from 5 °C to 35 °C, and humidity from 45% to 85%. When used at high temperature and high humidity, there may be a risk of burnout damage, failure deformation discoloration. When used at low temperatures, a fluorescent lamp may get dark or may be turned on.
 Confirm the rated voltage and the power supply voltage of the equipment. If overvoltage is applied, a fire may start. Applying overvoltage will shorten the life of lamp.	

Preparation before Installation

- Prior to installation, determine the installation position of the product referring to the specification drawings in page 8.
- Provide 2 x power supply (13A or more / AC 230V) on the wall.
(See page 8 for recommended position.)
- Ask a licensed electrician to perform electrical work.
- Perform Class D grounding (previous Class 3 grounding) with the ground wire.
- Confirm installation directions (up, down, left, right) of the equipment.

Parts List/Accessory Parts

● ALVIS DIO



[Accessory parts]



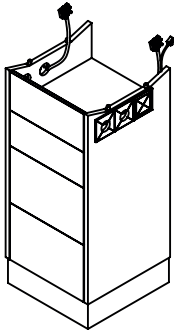
Wood screw for frame x8



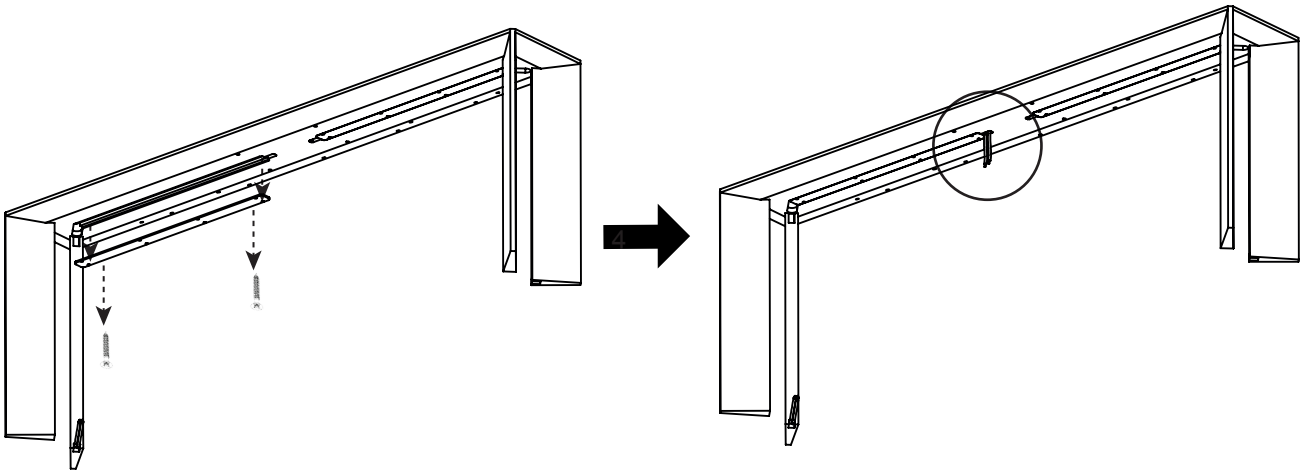
Wood screw for dryer holder x8

Installation Procedure

1 Position Cabinet in the desired location.



2 Before placing Desk, take off the wood covers on underneath (these are fixed by wood screws) then take out the cables like the drawing below.

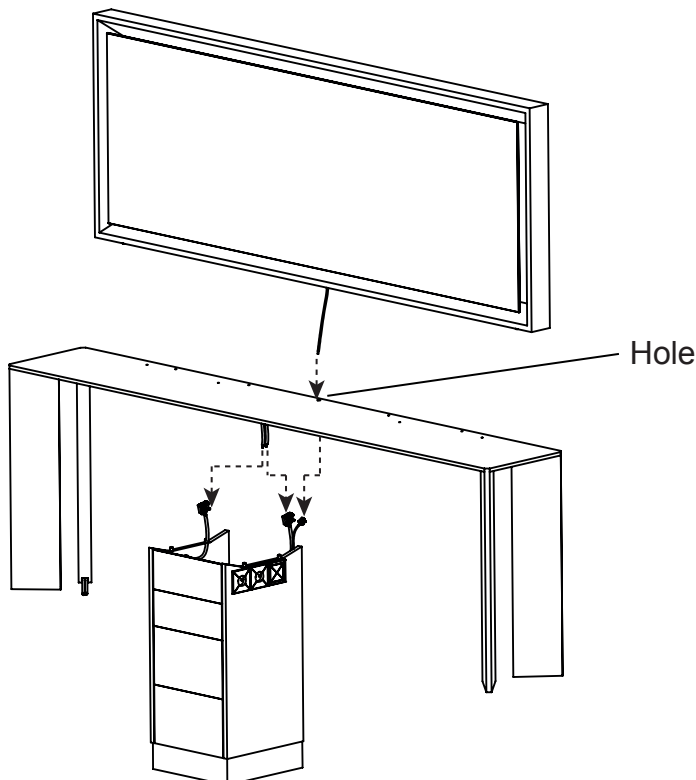


3 Pass LED cable through the hole on Desk.

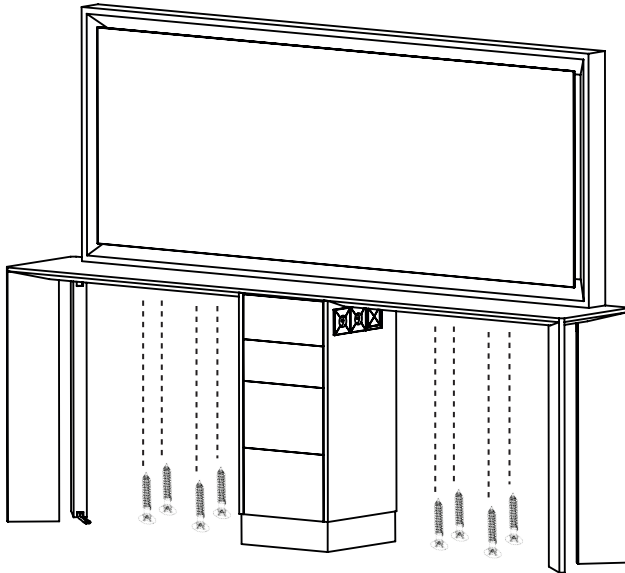
Then connect the LED cable.

Connect Power plugs on Cabinet and Desk then lower Desk on Cabinet.

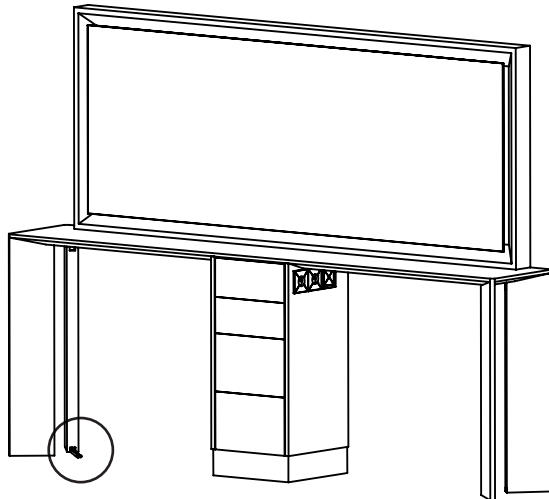
(Should be connected by a licensed electrician./ 2~4 people are required to lift up the Frame.)



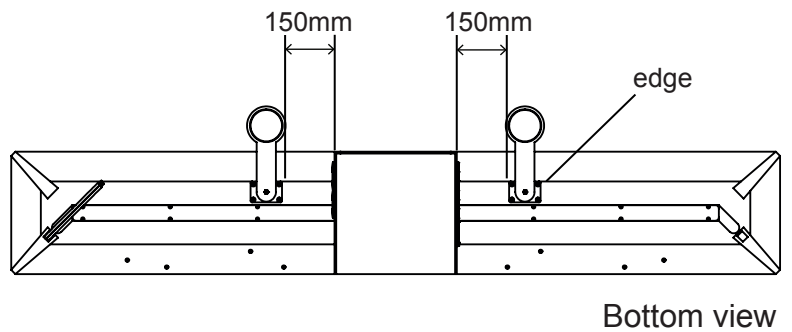
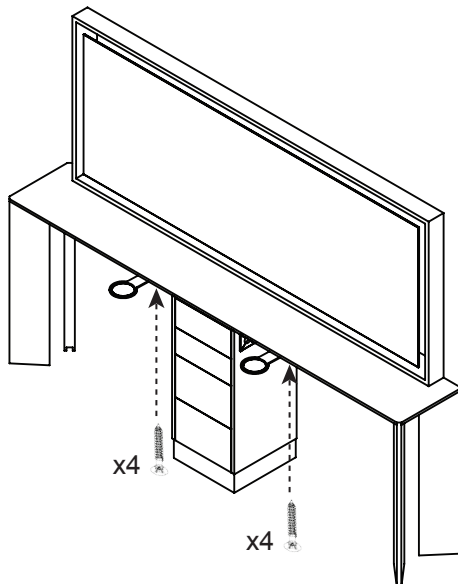
4 Fix Frame with 8 x wood screws from underneath of Desk.



6 Wire Power plugs.(See recommended position on page.9 / Plug is NOT provided.)



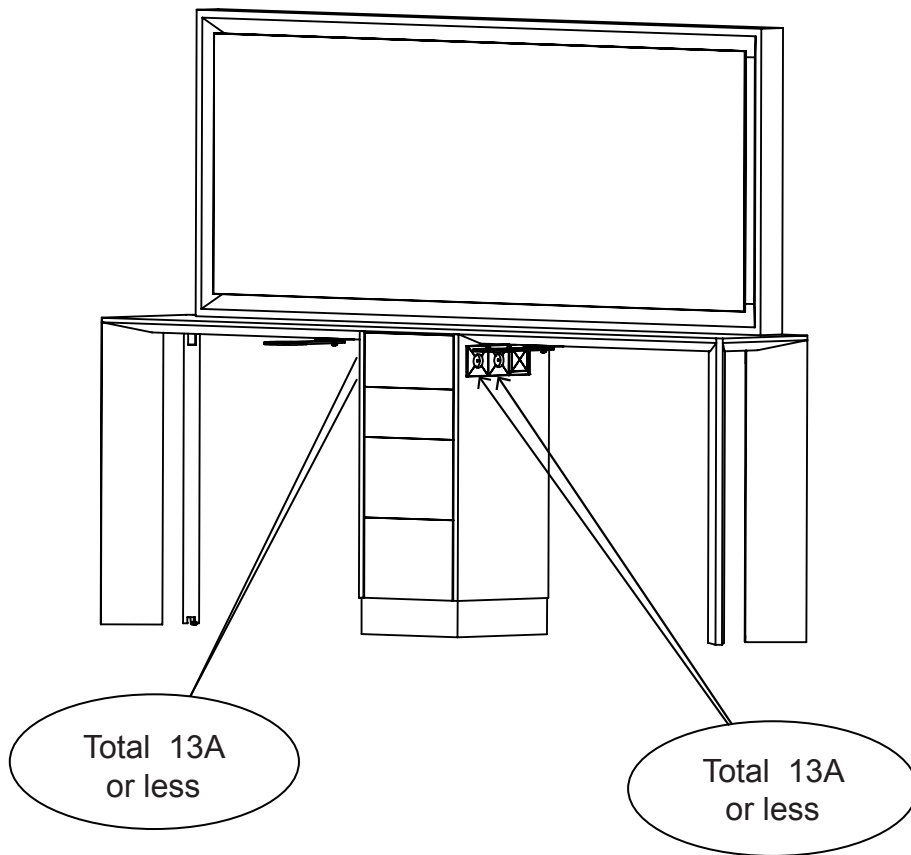
7 Fix 2 x Dryer holder with 4x wood screws each on the recommended place below.



How to Use

- Using power outlet

Power outlets are provided on the left and right sides of Cabinet.
The total current of the power outlets are as follows.



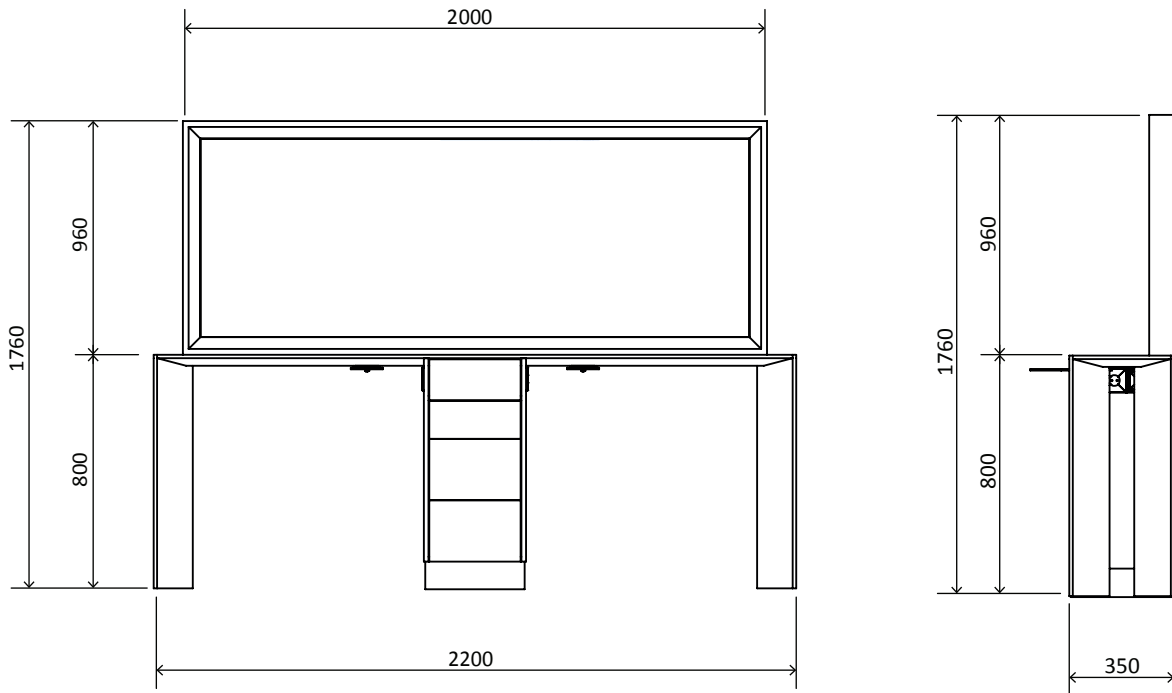
Care and Maintenance

- Dust the surface and remove stain.
- Wipe the surface with soft and dry cloth. If the stain is hard to remove or oil is spotted, wipe with cloth soaked in diluted neutral detergent and wringed. Then wipe it with dry cloth.
- Do not use volatile chemical such as thinner, alcohol, gasoline, kerosene, or abrasive, wax, abrasive sponges and scrubbing brushes, etc.

Specification Drawings

● Dimensions

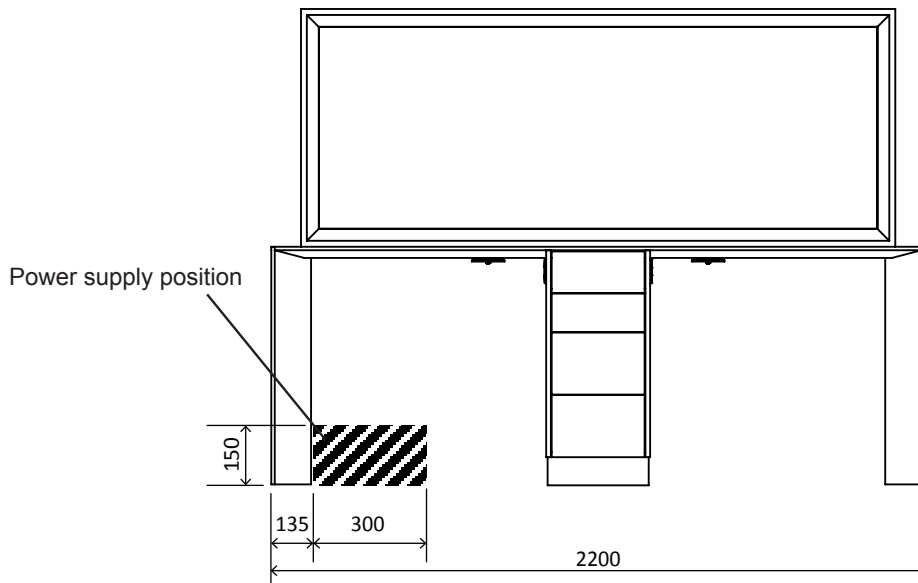
[mm]



- Rated voltage 230V
- Rated frequency 50/60 Hz
- Mass 130 kg

● Recommended position of power supply

Provide 2 x power supply (13A or more / AC 230V) .



**TAKARA
BELMONT**

TAKARA BELMONT (UK) LTD.
BELMONT HOUSE, ONE ST.ANDREWS WAY, BOW LONDON
E3 3PA, UK
[http:// www.takara.co.uk](http://www.takara.co.uk)
TEL: +44(0)20 7515 0333